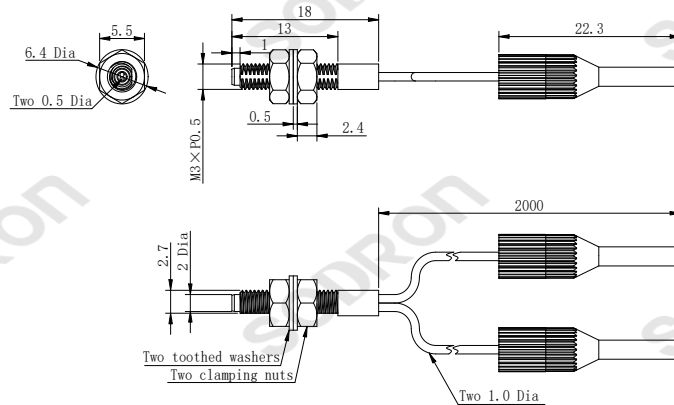




CE

Dimension

Model	Technical parameters	
DM-31	Model	DM-31
	Type	Diffuse reflection type
	Amplifier model	PE23
Product features	Length	2000mm (Freely trimmable)
	Specification	Ø1.0mm×0.5mm single core
	Bending radius	R15
	Housing material	PE
	Core material	PMMA
	Head material	SUS304
	Light Emission direction	Front End
	Protection class	IEC IP65
	Operating ambient Temperature	-40°C ~ +70°C
	Accessories	M3 Nuts × 2 + Washers × 2
	Thread specification	M3×0.5

Note 1: Please note that improper processing of the fiber end after free trimming may cause a maximum reduction of 20% in detection distance.

Note 2: The minimum detection object is the value when the detection distance and sensitivity are set to optimal conditions.